

# THE EXPERTS' CHOICE



#### Two-way car alarm system means:

- reliable protection for any vehicle,
- efficient information on both your alarm system and vehicle at any moment,
- well-timed warning about unauthorized intrusion,
- remote engine start system



2-way  
Remote  
Starter  
Car Alarm  
System

# CENIMAX

Model: **Vigilant** **ST-7**

CENMAX VIGILANT ST-7

CENMAX VIGILANT ST-7

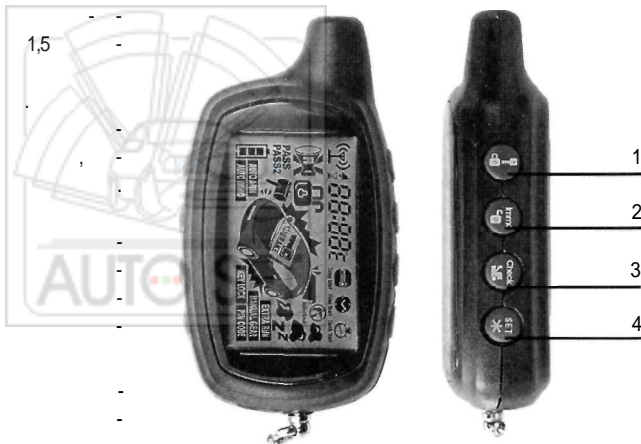
CENMAX VIGILANT ST-7

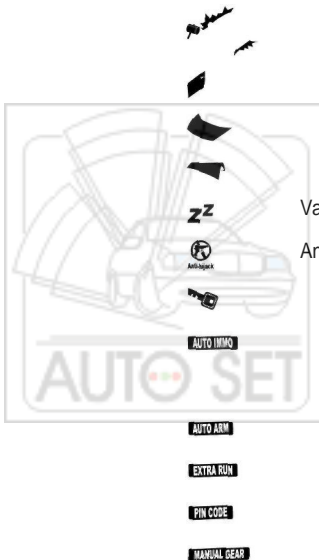
CENMAX VIGILANT ST-7



CENMAX VIGILANT ST-7.

6 ( LR03 AAA),





Valet

Anti Hi-jack

PIN

4



COBRAKE



KEY LOCK

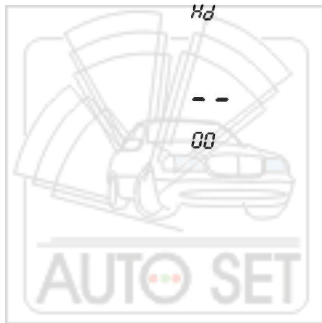


88-88

CENMAX VIGILANT ST-7

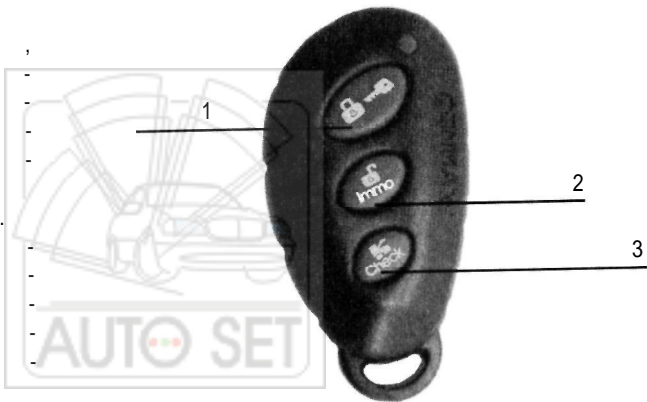


SF



(CR2032),  
1

3



	1	2	3	4	
	•				
		•			
	•				
		•			
	• •				
	• • • •				
/	•	↖ ②			
/		② ↗ •			
/		② ↗	•		
		•			
( )			② ↗ •		
	•	↖ •			

(	•	↩			
)			••		
Anti Hi-jack	②	②			
Valet-		•	↩②		
			•		
	②↔				
/	②↔	•			
/	②↔②				
/	•		↩②		
/	②↔		•		
	•			•	
	•			•	
				④	
				②↔	

•  
②••  
↔

2

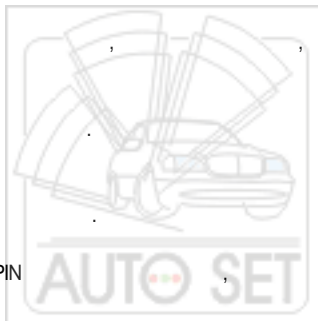
1



3 PIN ( )  
 \_\_\_\_\_ PIN :

- 1.
- 2.
- 3.
- 4.
- 5.
- 6.

\_\_\_\_\_ PIN



PIN

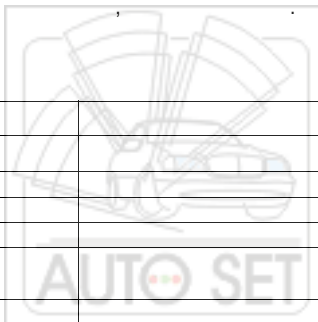
PIN

PIN

1 , . 1 , . 1 . 20

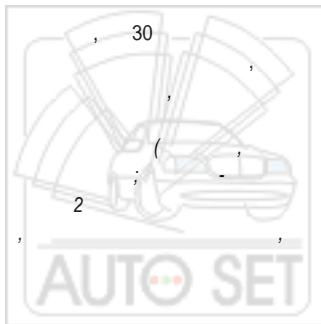
4  
 , 20 , ( . ) .

20



Valet	
2 :	
( )	
Anti Hi-jack	

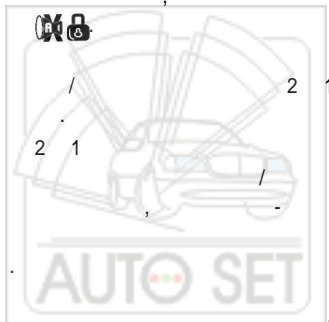




2

2,

1.



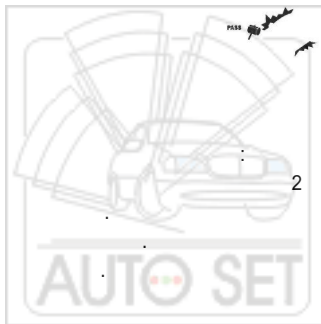
1,



1.



1,



- 1.
- 2.
- 3.
- 4.
- 5.
- 6.

1

- 7.
- ( )
- 8.

2

AUTO IMMO

30



2

1 2

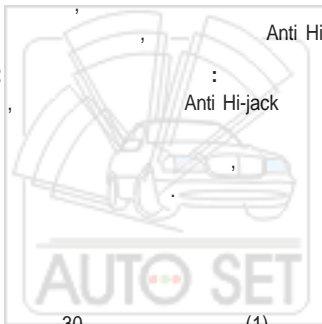
Anti Hi-jack.



Anti Hi-jack

1. 30
2. 30
3. 30

1 2



Anti Hi-jack

Anti Hi-jack

2

**Anti Hi-jack**

30

(1)

3

Anti Hi-jack  
Anti Hi-jack PIN-

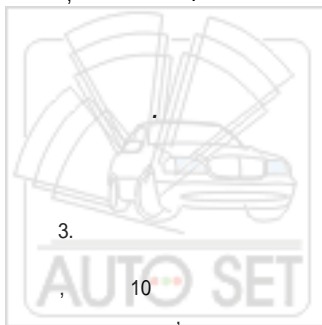
PIN

3-

2

3





2

AUTO ARM

10

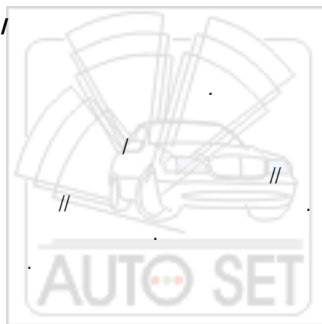
2

10

30

- a.
- b.
- c.
- d.

10



1 2

4

4

3





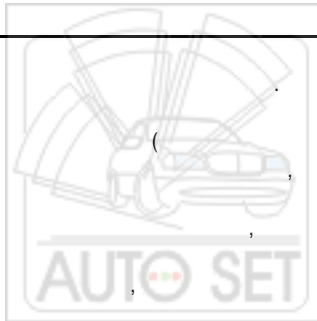
1.

2.

Parking.

3.

4.



1.

2.

3.

1. ( )

2. )

3. ( )

4. ( )

5. ( )



1. 1 1

2. 3

\_\_\_\_\_ :

- 1.
- 2.
- 3.
- 4.

5.

6.

7.



25

2

1.

2.

3.

4.

1.

1

1

2. 4

3.



1,

2,

( . 9,10).

3,

1.



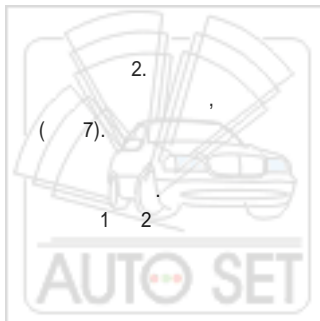
10

3 1



1,

!



1.

2.

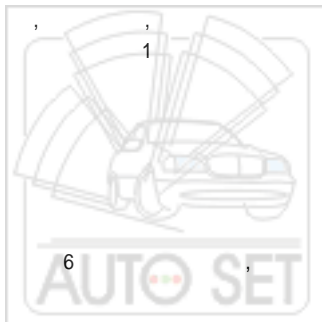


10

1,



1.



3



6

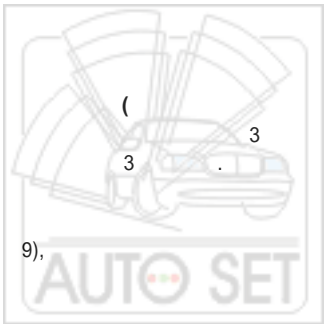
60

60

( , 4

30 45

30 (45)



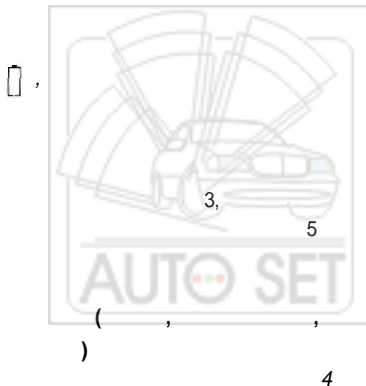
( 9),







10 30



2

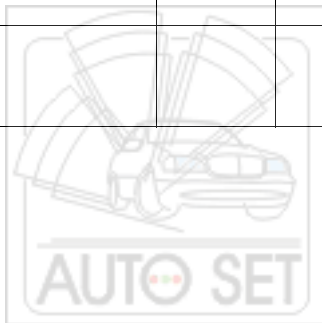
1. 20 30

2.

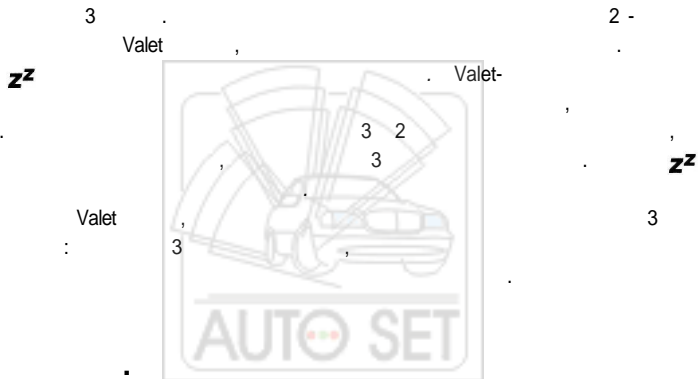


	4		1	2	
1					
2	1				
3	2				
4					
5	4		.(ON) B	.(OFF)	 ON OFF
6	5				
7	6				
8	7		.(ON) B	.(OFF)	 ON OFF

	4		1	2	
9	8				
10	9				



## Valet

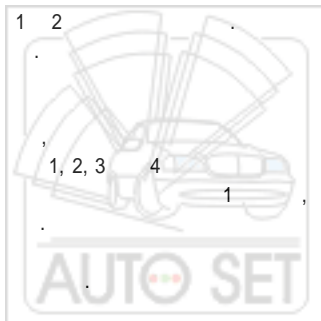


CENMAX VIGILANT ST-7

1

1

1. 7
2. 7
- 3.
- 4.
5. - 4.
6. 6



## PIN

PIN

5

PIN

PIN 1-1

1, 2,3 4.

1.

2.

3.

4.

5.1

6.

«1»

1;

«2» -

2;

«3» -

3;

«4» -

1;

«2» -

2;

«3» -

3;

1

1;

«2» -

2;

«3» -

3;

7.

8. 2

9.

«1»

1;

«2» -

2;

«3» -

3;

«4» -

1;

«2» -

2;

«3» -

3;

1

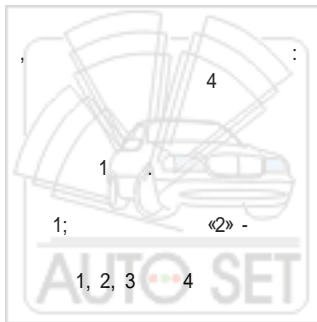
1;

«2» -

2;

«3» -

3;



PIN

PIN



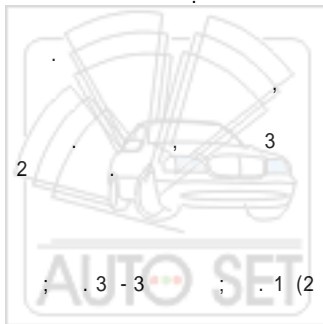
10.

1.

2.

3.

4.



1 - 1 ; 2 - 2 ; 3 - 3 ; 1 (2) -> 1 - 4

5

		1	2	3	1 ( )
1	/	0,8 /0,8	3,6 /3,6	0,8 / 0,8	30 /0,8 ->1
2					
3	/			30	45
4					
5					
6	( 2 )	(20 )	(30 )	(20- )	(30- )

		1	2	3	1 ( ) ->1
7					
8					
9	1 ( / )	0,8	10	30	( )
10		-5°	-10°	-20°	-30°

1.

2.

3.

4.

•

7 - 1

6

2

. 1 - 1

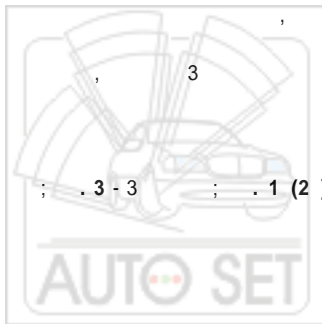
; . 2 - 2

; . 3 - 3

; . 1 ( 2 ) -&gt; 1 - 4

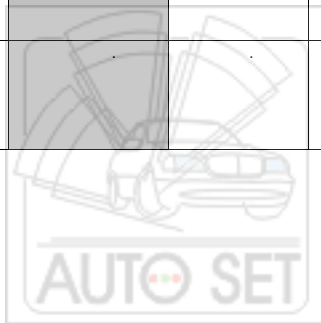
6

3



		1	2	3	1 ( ) ->1
1					
2	( )	/ (0.8 )	/ (1.2 )	/ (2.0 )	(3.6 )
3					
4					
5		1	2	3	6
6		5	10	15	20
7		1	2	4	12
8					

		1	2	3	1 ( ) ->1
9					
10					



- 1.
- 2.
- 3.
- 4.
- 5.
- 6.
- 7.
- 8.

9

1

1

1

1

5

9

- 1.
- 2.
- 3.
- 4.
- 5.
- 6.
- 7.
- 8.

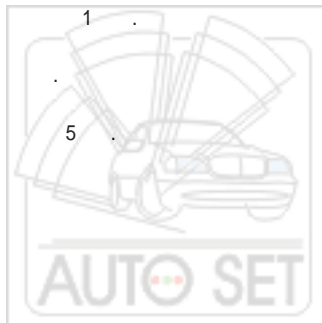
10

10

1

1

1



!

- 1.
- 2.

20°

3.

4.

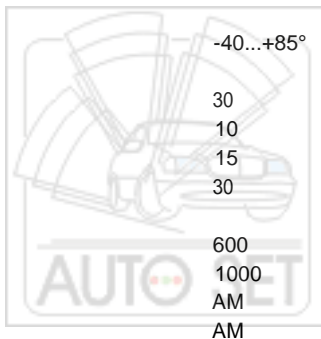


5



5.

6.



\_\_\_\_\_ 1

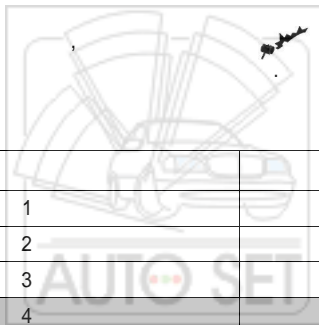
1.

2.

3.

4.

5.



01	1		
02	2		
03	3		
04	4		*
05	1		
06	1	+	
07	1	+ 2	
08	1	+ 3	

\*

6.

7.

**2**

1.

2.

3.

4.

5.

6.

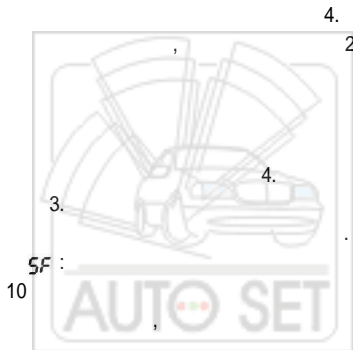
7.

8.

*Hd*

9.

10.



( 4).

4

4.

2

4

4.

3.

5F :

10

**AUTO SET**

:

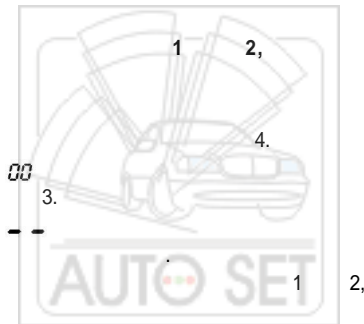
10 ( .6)

( . 9)

4

2:

- 1.
- 2.
- 3.
- 4.
- 5.
- 6.
- 7.



4

